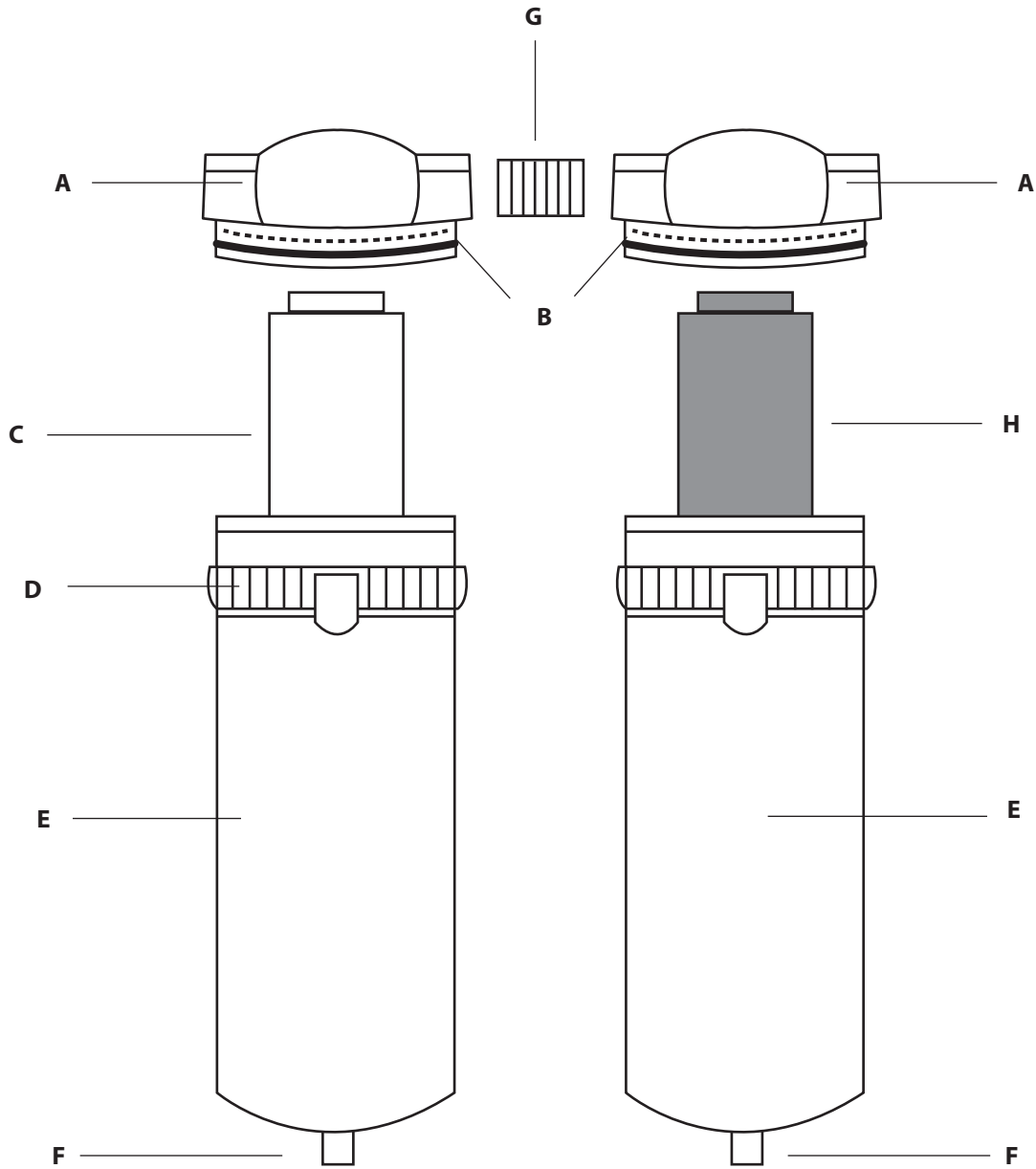


3P-150-M08-DC Breakdown



Description

Part

Description

Part

A	Filter Head Assembly	WIL-065
B	O-ring for Bowl	N32-95-256
C	1st Stage Replacement Element	3P-150
D	Bowl Ring (only)	WIL-013

E	Bowl Assembly w/Drain	N34-15-178
F	Auto Drain	N32-95-979
G	1" Nipple	MPF-008
H	2nd Stage Replacement Element	3C-150



(800) 521-9200



www.driair.com | www.rti-pbe.com



@RTiPBE



@rti_pbe

